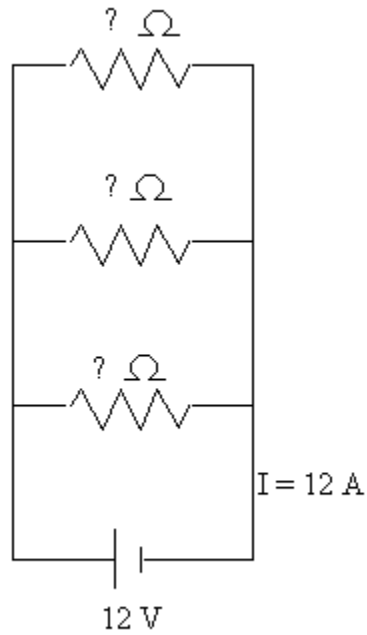
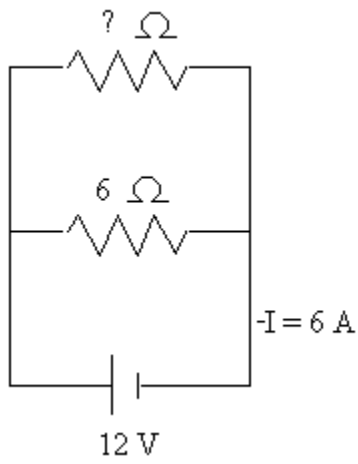
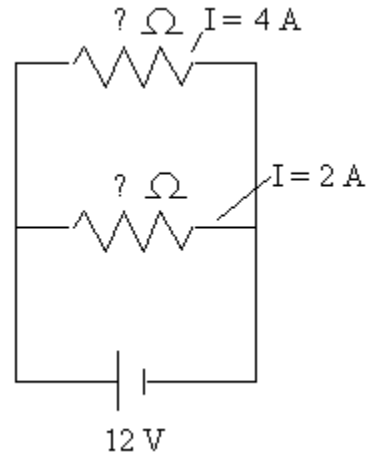
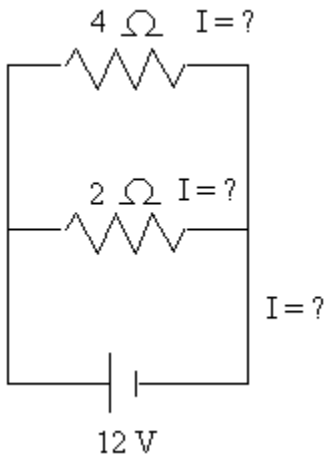


Name:

General Physics  
Circuit Worksheet  
Due: 5/25/10

Solve for the missing components below:



If each resistor is identical

Find the current in each branch of the circuits

